

# SMARTCARD METER

**ROLEC**  
Caravan Hook-Ups



The Smartcard Meter includes a built-in electrical contactor that automatically switches on/off the electricity supply as credit is available or expires, with the ability to refund unused credit back to the card. Only requiring normal electricity supply, the Smartcard Meter is perfect for caravan/holiday parks and similar locations that do not have the desire nor capacity to install data cables or networked management system.

Rolec's Smartcard Meter is the most cost-effective and reliable way of managing your caravan/holiday park's electric supplies, provide caravan and park operators with low cost electricity management.

## PRODUCT FEATURES

- Prepaid card operated meter
- Class 1 accurate smartcard meter complete with digital display
- **MID** approved (Certificated)
- Re-usable waterproof smartcards
- Easy to operate software
- USB card reader/writer
- Secure tariff management
- Audible low credit warning
- Visual low credit warning
- Unused credit can be refunded back onto the card
- Smartcards are unique to each sites computer software

Unit shown: Class 1 pre-paid smartcard meter

In situ: Hook-Up Connection Unit  
Smartcard Metered  
Interlock Socket



For Touring/Static  
Caravans & Camp Sites



Smartcard  
Metering



Easy-To-Use  
Software



MID Approved  
Metering



IP  
Rated



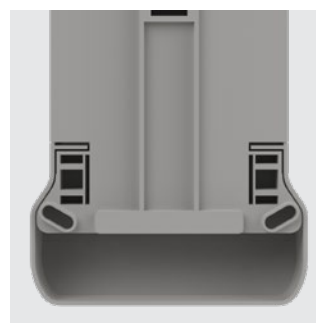
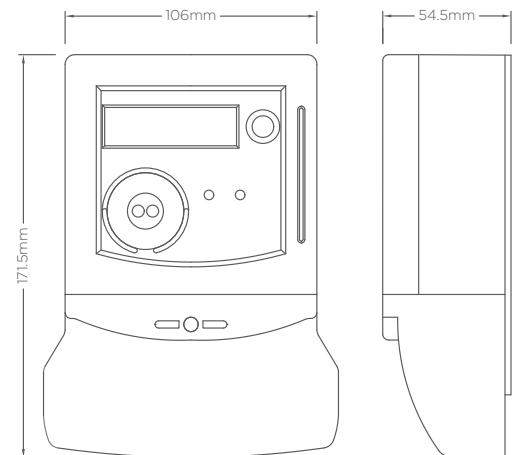
CE  
Certified

# SPECIFICATIONS

Product Code	LSAF0180
Input Voltage	230V (AC)
Certifications & Compliances	Environmental Protection - IP51 Enclosure
	IEC 6205-11
	IEC 62053-21
	IEC 62053-31
	IEC 62056-21
CE	EU Directive 2014/32/EU
	Interlock Socket IP44 IEC 60309-2
Dimensions	106mm x 171.5mm x 54.5mm (W x H x D)
Materials	Polycarbonate Enclosure
Operating Temperature	-25°C to +55°C
Colour	Grey

## OPTIONS & ACCESSORIES

- Fits all Rolec pedestals
- Can be retrofitted onto existing pedestals and hook-up units
- Blank reusable smartcard (product code ACEU0170)
- Card printing/branding available



Images are for marketing purposes only and are not contractual © 2022



Head office contact:  
t: +44 (0) 1205 724754  
f: +44 (0) 1205 724876  
enquiries@rolecserv.co.uk

Rolec Services Ltd  
Ralphs Lane, Frampton West  
Boston, Lincolnshire  
UK. PE20 1QU



[www.rolecserv.com](http://www.rolecserv.com)

LSAFSMD-V01-R1 Smartcard Meter - Data Sheet