

# QUANTUM SOS PEDESTAL

**ROLEC**  
Global *Marina* Services

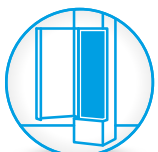


The **QUANTUM** SOS PEDESTAL Range

A range of high quality, robust marine grade anodised aluminium SOS pedestals.

## PRODUCT FEATURES

- 25 micron marine grade 6063 anodised extruded aluminium body
- Powder-coated aluminium panels and door
- High impact resistant UV stabilised polycarbonate lighting lens assembly
- 360 degree low energy LED lighting
- Heavy duty polycarbonate base
- Fully segregated lighting and emergency compartments
- Designed for ease of installation and maintenance
- Optional equipment;
  - Life ring & floating throw rope
  - Fire extinguishers, fire blankets & fire axes
  - First aid kits
  - Emergency beacons & sounders



Internal  
Compartment



UV  
Stabilised



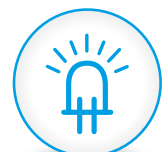
CE  
Certified



IP66  
Weather Proof



IK10 Impact  
Resistant



LED  
Illumination

# SPECIFICATIONS

## CHARACTERISTICS

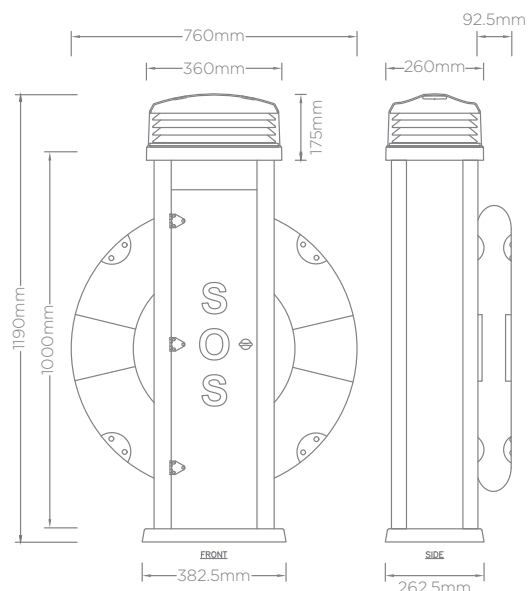
Materials	<b>Head:</b> FR-VS UV Stabilised Polycarbonate <b>Body:</b> Alloy 6063 BS EN 10204:2004, BS EN 573-3:2013, BS EN 755-2:2016
Dimensions	<b>Pedestal:</b> 382.5mm x 1190mm x 262.5mm (W x H x D) <b>Life Buoy:</b> 760mm x 760mm x 92.5mm (W x H x D)
Operating Temperature	-30°C to +60°C (Installed and Operated Within Multiple Climates from Around the Globe)
IP Rating	IP66 BS EN 60529
Impact Rating	IK10 BS EN 62262:2002
Compliances	BS7671 Wiring Regulations BS EN 61439-2:2011, BS EN 61439-5:2015 CE Certified Low Voltage Directive 2014/35/EU BS EN IEC 60947-1 / BS EN IEC 60947-3 Electromagnetic Directive 2014/30/EU UV Stabilised Flame Retardant to UL94 Flame Rating at V2
CE	
Typical Weight (AVG)	20-25kg

## LIGHTING

Type	360 Degree Low Energy LED
Rating	GX53 9W 4000k
Protection	RCBO 6AMP

## OPTIONS

- Life ring and floating throw rope
- Fire extinguisher (Dry powder or water)
- First aid kits
- Fire blankets
- Fire axes
- Emergency beacons & sounders
- Photocell controlled lighting



Images are for marketing purposes only and are not contractual © 2023



Head office contact:  
t: +44 (0) 1205 724754  
f: +44 (0) 1205 724876  
rolec@rolecserv.co.uk

Rolec Services Ltd  
Ralphs Lane, Frampton West  
Boston, Lincolnshire  
UK. PE20 1QU

MSDS-0009

 @RolecMarina  
[www.rolecserv.com](http://www.rolecserv.com)