

# CLASSIC SOS PEDESTAL

**ROLEC**  
Global *Marina* Services

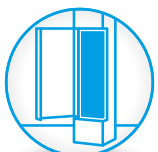


The **CLASSIC** SOS PEDESTAL Range

A range of versatile galvanised steel & aluminium powder-coated SOS pedestals.

## PRODUCT FEATURES

- Hot-dipped galvanised steel internal chassis
- UV stabilised powder-coated aluminium external shell & door
- 360 degree low energy LED lighting
- Fully segregated lighting and emergency compartments
- Designed for ease of installation and maintenance
- Optional equipment;
  - Life ring & floating throw rope
  - Fire extinguishers, fire blankets & fire axes
  - First aid kits
  - Emergency beacons & sounders



Internal  
Compartment



UV  
Stabilised



CE  
Certified



IP65  
Weather Proof



LED  
Illumination



Strong  
& Durable

# SPECIFICATIONS

## CHARACTERISTICS

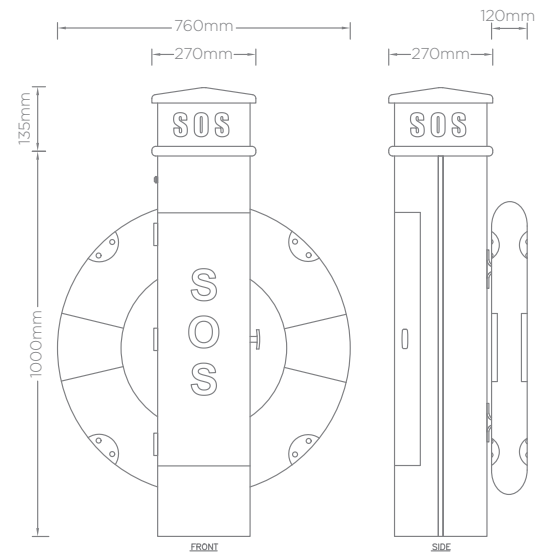
Materials	<b>Head:</b> ABS Granulate Natural Polyethylene <b>Body Internal:</b> Hot-Dipped Galvanised Steel <b>Body External:</b> Powder Coated Aluminium BS EN-10204:2004, BS EN 573-3:2013, BS EN 755-2:2016
Dimensions	<b>Pedestal:</b> 270mm x 1135mm x 270mm (W x H x D) <b>Life Buoy:</b> 760mm x 760mm x 92.5mm (W x H x D)
Operating Temperature	-30°C to +60°C (Installed and Operated Within Multiple Climates from Around the Globe)
IP Rating	Pedestal Rated IP65
Compliances	BS7671 Wiring Regulations BS EN 61439-2:2011, BS EN 61439-5:2015 CE Certified Low Voltage Directive 2014/35/EU Electromagnetic Directive 2014/30/EU Corrosion Resistant / Salt Mist Tested Panels ISO 9227 UV Stabilised Flame Retardant to UL94
CE	
Typical Weight (AVG)	15-20kg

## LIGHTING

Type	360 Degree Low Energy LED
Rating	2x G9 2.3W 5000k
Protection	MCB 6AMP 1P+N

## OPTIONS

- Life ring and floating throw rope
- Fire extinguisher (Dry powder or water)
- First aid kits
- Fire blankets
- Fire axes
- Emergency beacons & sounders
- Photocell controlled lighting



Images are for marketing purposes only and are not contractual © 2023



Head office contact:  
 t: +44 (0) 1205 724754  
 f: +44 (0) 1205 724876  
 rolec@rolecserv.co.uk

Rolec Services Ltd  
 Ralphs Lane, Frampton West  
 Boston, Lincolnshire  
 UK. PE20 1QU

MSDS-0008

 @RolecMarina  
[www.rolecserv.com](http://www.rolecserv.com)